

Basic features

Application	Pneumatic cylinder with tie rods Pneumatic cylinder with DUO rail
Basic standard	Dimension tolerances: DIN ISO 2768 m
Principle of operation	BMF mounting bracket
Scope of delivery	Fastening part Mounting bracket
Use	for magnetic sensors BMF 21

Environmental conditions

Ambient temperature	-40...85 °C
----------------------------	-------------

Material

Material	Cast aluminum
Surface protection	anodized, black

Mechanical data

Mounting, holder	Threaded pin ISO 4027 M5x10-A2
Sensor attachment	Threaded pin ISO 4026 M5x12-A2
Tightening torque	0.5 Nm
Tightening torque clamping screw	1 Nm

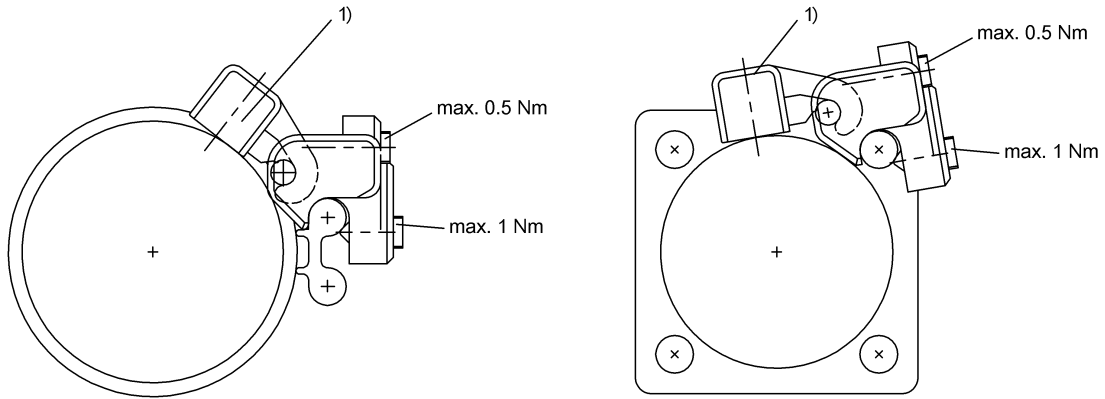
Range/Distance

Clamping range	4.3...6.5 mm
-----------------------	--------------

Remarks

The magnetic field switch can be replaced without removing the mounting bracket

Help Views



1) Magnetic field sensor